

AC04.S01 INFO HUB

Equipment List

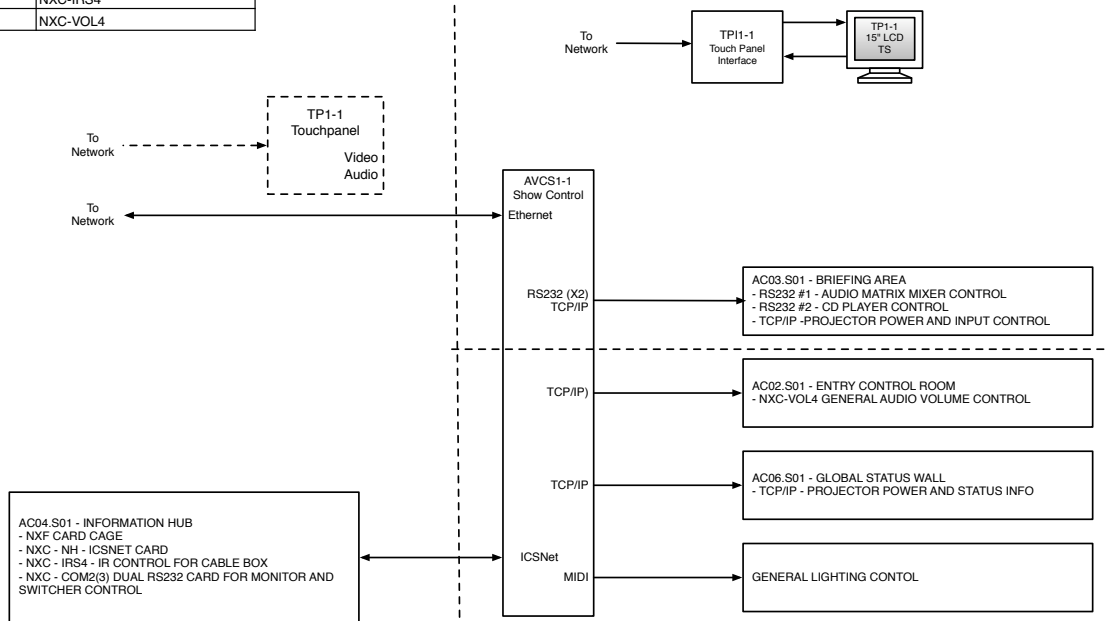
System Name: Sitewide Systems - Network/General

System Number: AC10.S01

Quantity: 1

Ref. Code	Qty	Description	Suggested Equipment Manufacturer	Make Model #
TPI1	1	Touch Panel Interface	AMX	NXP-TPI/4
TSC1	1	Touchscreen Monitor - 15" Panel Mount	Elo Touchsystems	1566L
RS2322	5	Dual RS232 Card - Netlinx	AMX	NXC-COM2
AVCS6	1	AV Cardcage - Netlinx w/Hub	AMX	NXF-NH
IRS4	1	4 IR Control Card	AMX	NXC-IRS4
VOL4	1	Volume Control Card 4 Channel and Shell	AMX	NXC-VOL4

AC03.S01 BRIEFING AREA



ESI Design
 111 Fifth Avenue
 New York NY 10003
 T 212 989 3993
 F 212 673 4061

This is an unpublished confidential and proprietary work simultaneously protected under copyright, trade secret, and the laws of the United States and other countries. All rights reserved. These materials may not be reproduced, displayed, distributed, nor may the information therein be used or disclosed, in whole or in part, without the express written permission of ESI Design Incorporated © 2007.



No. Issue Date

Date: 01/24/2008
 Drawn By: JA / MC / MLS

Scale: NONE
 Phase: 100% FD

Title:

SITE WIDE
 MAIN SHOW CONTROL
 SCHEMATIC SYSTEMS
 DIAGRAM

Job Number:
 05501-0A
 Drawing Number:
 AC10.S03