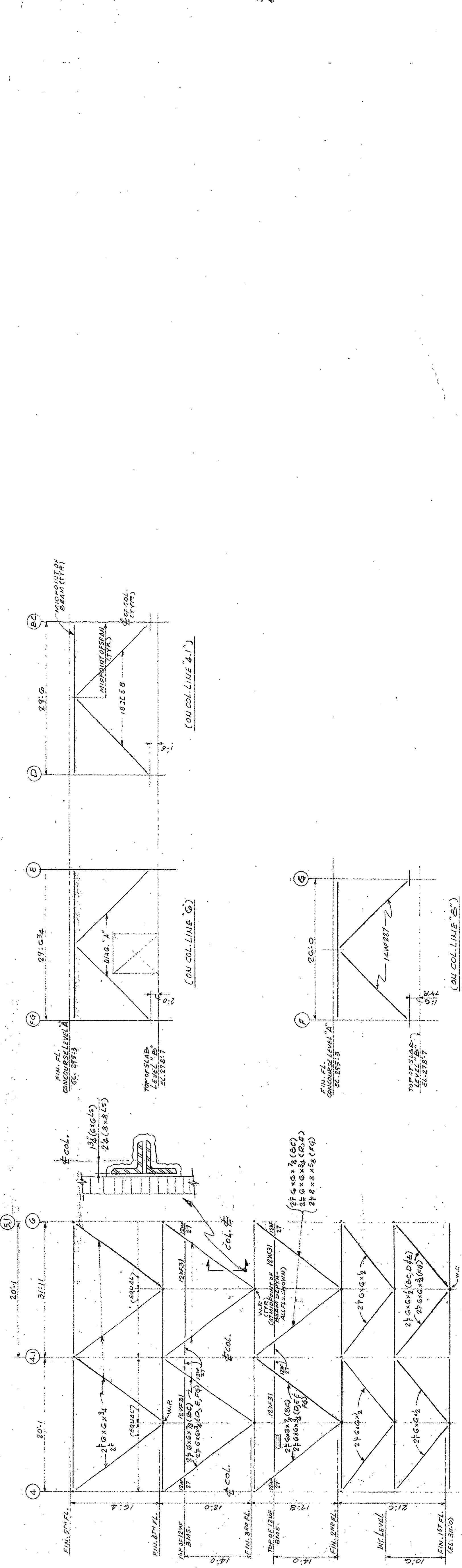
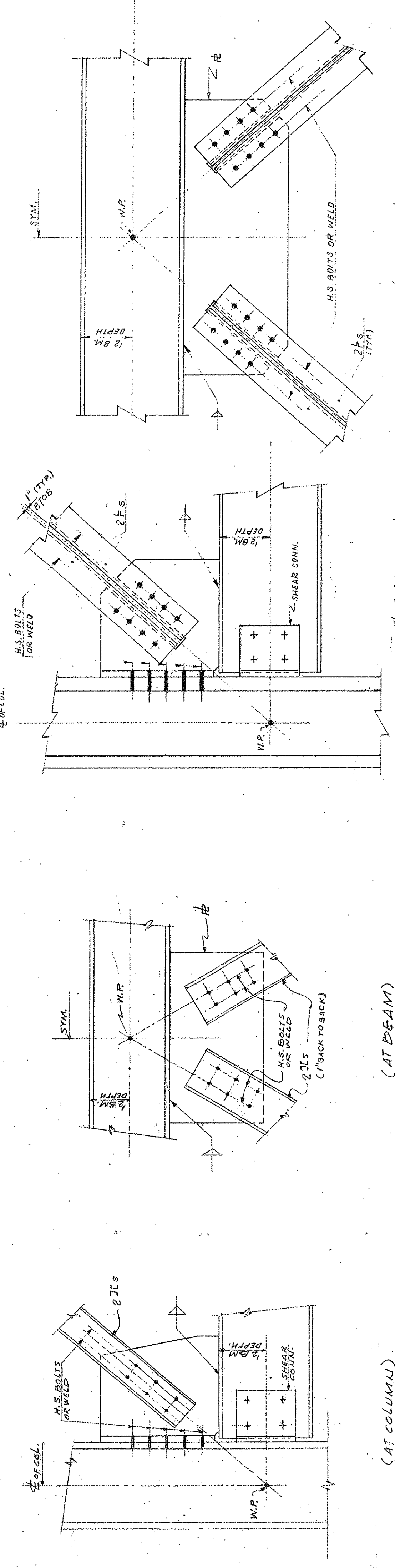
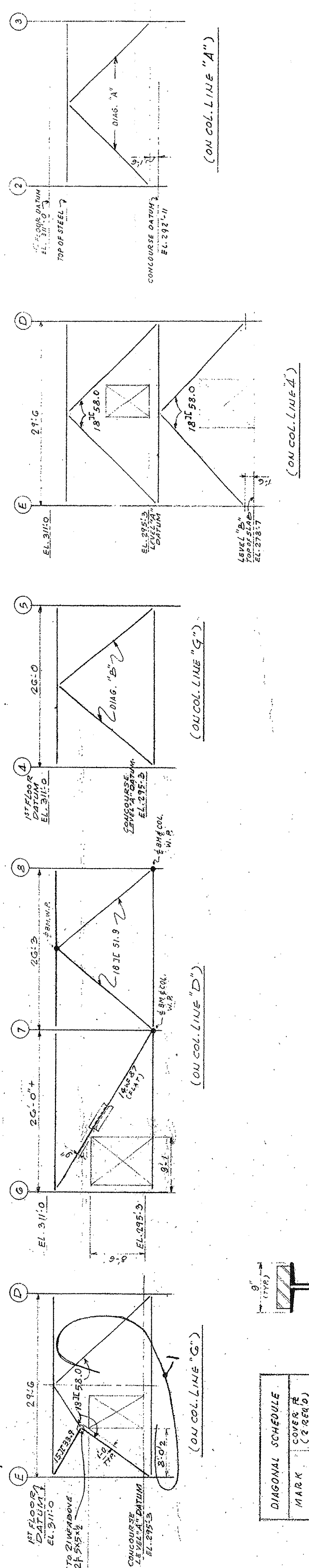
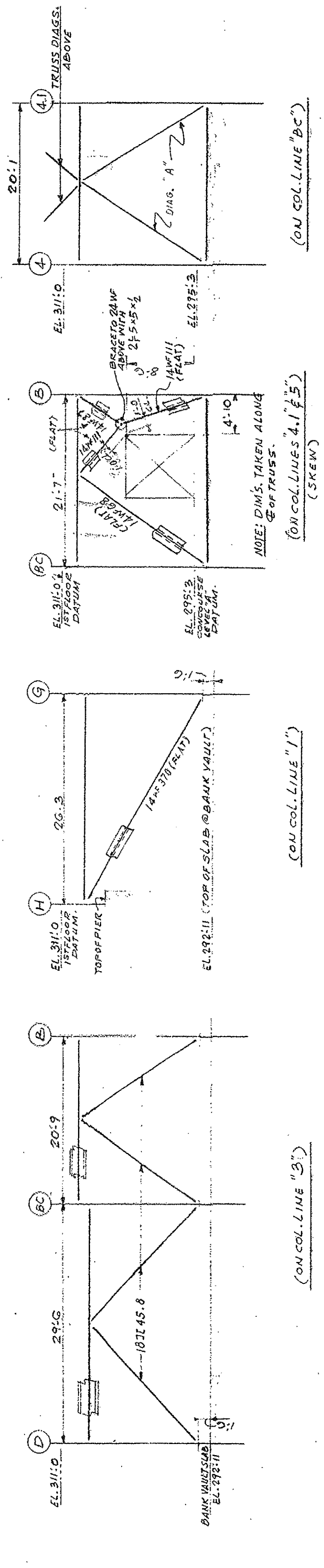


REVISIONS

NO.	DATE	DESCRIPTION
1	1-24-72	WIND TRUSS PER VISUAL PANEL NO. 1000 CONCRETE DETAIL (CONCRETE)



(TRUSS OCCURS ON COL LINES B-C, D, E, F, G)



TYPICAL WIND TRUSS CONNECTIONS

RELEASED FOR ORDERING - DETAILING 10-27-71

BANKERS TRUST PLAZA

A FISHER BROTHERS PROJECT

GREENWICH AND LIBERTY ST. N. Y. N. Y.
 SHREVE, LAMB & HARMON ASSOCIATES P.C.
 ARCHITECTS
 475 PARK AVENUE SOUTH N. Y. N. Y. 10016
 PETERSON AND BRICKBAUER ASSOCIATED ARCHITECTS
 919 THIRD AVENUE N. Y. N. Y. 10022
 THE OFFICE OF JAMES RUDERMAN STRUCTURAL ENGINEERS
 515 MADISON AVENUE N. Y. N. Y. 10022
 J. A. ROS, BAUM & BOLLES MECH. & ELEC. ENGINEERS
 345 PARK AVENUE N. Y. N. Y. 10022

PROJECT NUMBER	7101
DRAWING NUMBER	S-31
DATE	
SCALE	

FOR CONCRETE BIDS ONLY (12-1-71)